

Welcome to the New Concept of Yelo Boat

The Yelo 260 has three comfortable seats and is fun to drive.

The joystick is very responsive and everybody loves it. The Yamaha engine will reach 15km/h quickly and efficiently.

For water sport centres and rental companies, Yelo gives you peace of mind as there is no access to the propeller and the construction is safe and robust.



Quality and safety:

The material used for the construction of the Yelo is high density Polyethylene.

The lower hull is composed by 3 layers of material, making it very strong.

The seats are also flotation aids.

YELO® is guaranteed for 2 years for spare parts and labour.

Environmental friendly:

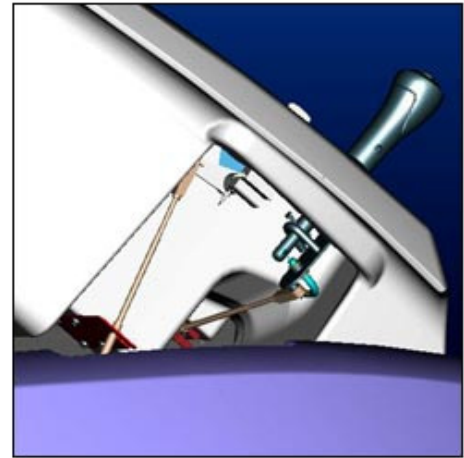
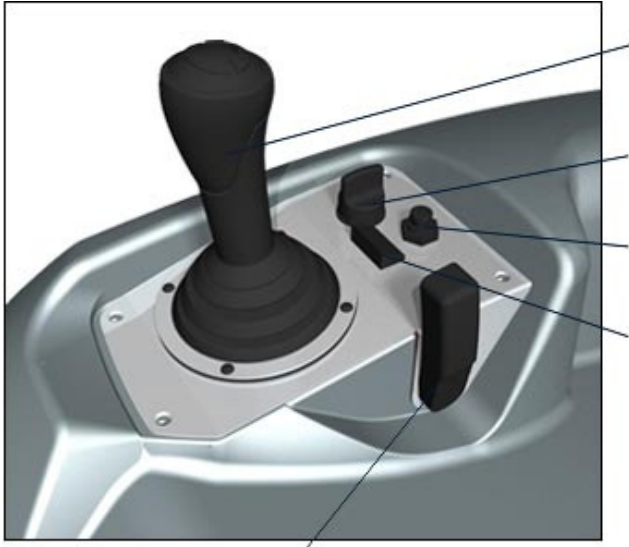
This boat is silent and preserves the tranquillity of people on your beach. The Yelo is 98% recyclable.



Economical assets:

The main interest for the professionals are the economical aspect of the YELO® and the fast return on investment. In many countries holidaymakers will pay from € 20 to € 35 per half hour. On the other hand the expenses on the boat are very limited (petrol consumption about 2 litres an hour and very limited maintenance on the engine).

**Use the joystick to accelerate and turn.
Starter key. Cut off. Forward, neutral or reverse. The engine can only be started when the selector is in neutral.
Oil gauge.**



Four grab handles allow manoeuvrability at the water edge.

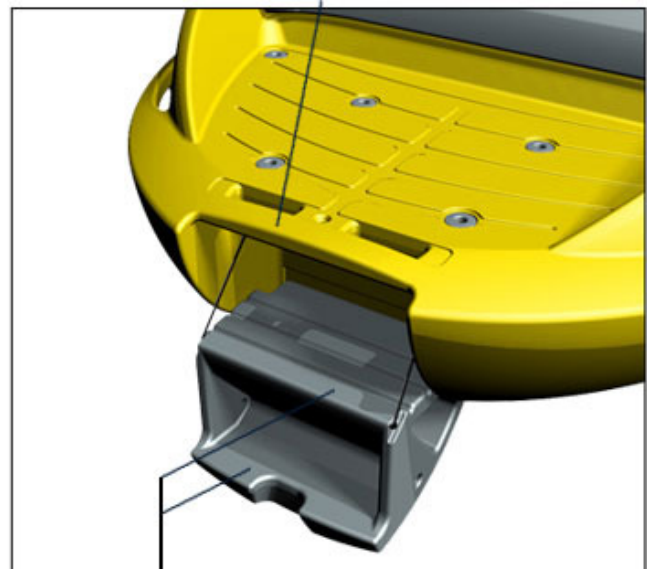
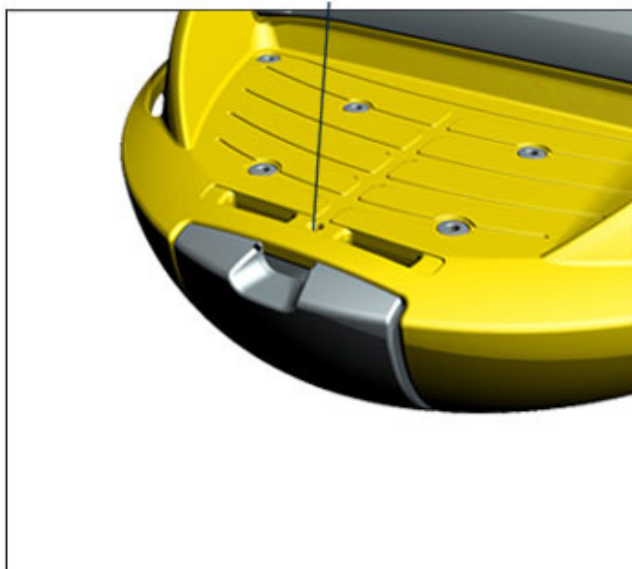
The high sides create a great feeling of safety

Non skid

Handles

Mooring ring

Self draining deck

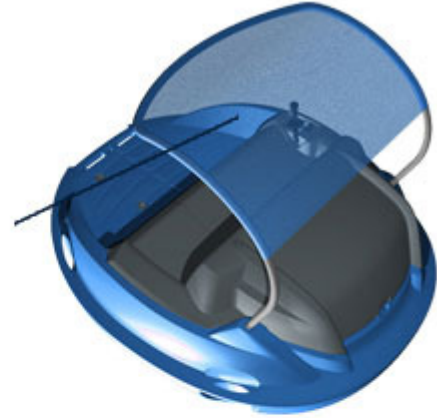


Non-skid surfaces on the steps Access of Yelo is made easy by using the well placed steps at the front of the boat.

Lock down point.

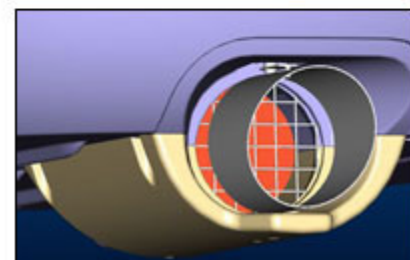
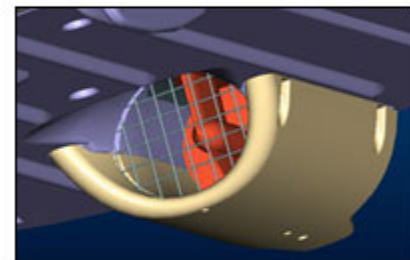
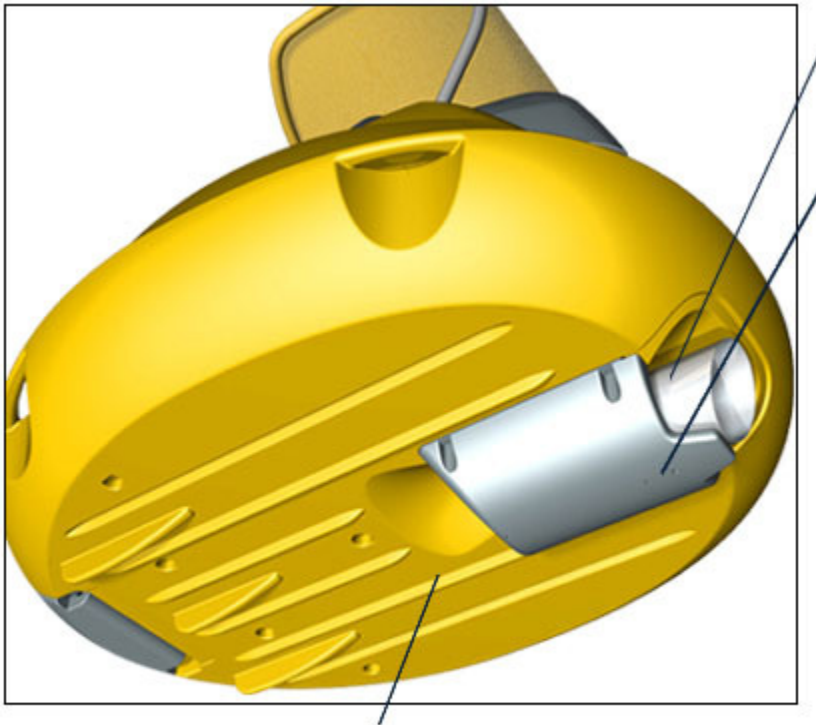
The engine can be locked inside the boat, and the deck can be locked down for extra security.

The translucent screen offers protection from the sun.



Reinforcements make the hull rigid and strong.

The propeller is protected inside a rigid casing two strong grids close the access to the propeller from the front and the rear.

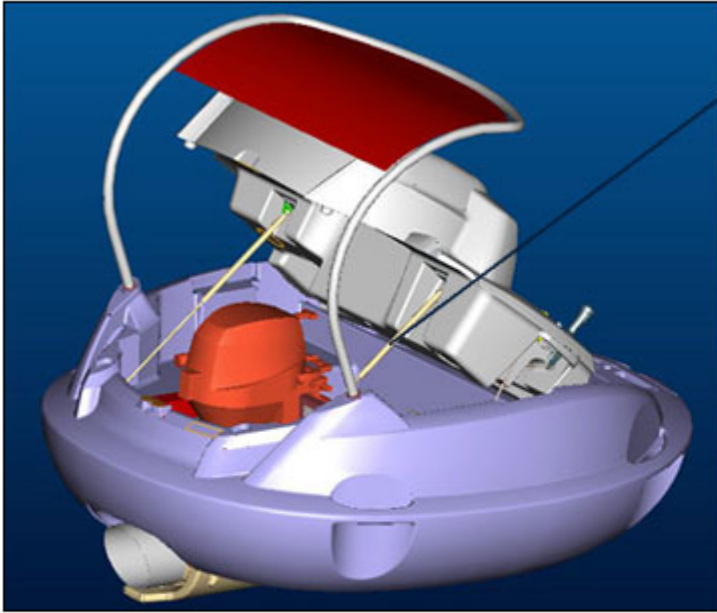


Professional water-sport centres can take fuel tank off every evening, to fill it up the next morning at the petrol station.

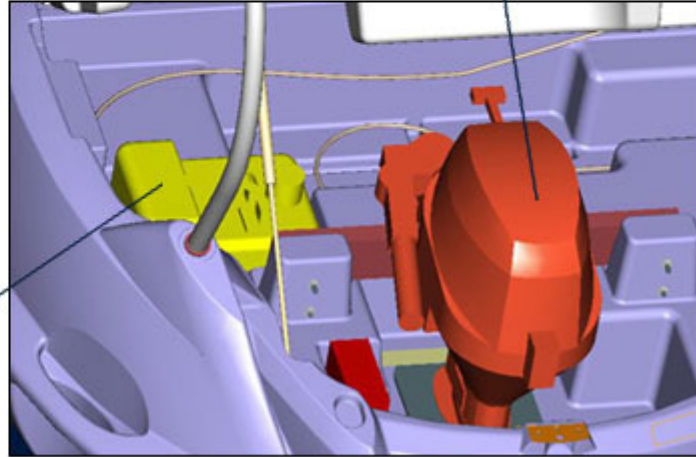
Easy access is granted to the mechanical parts by tilting the deck forward. At the front of the boat, 2 auto-retractable steps allow climbing back on board easily.

Engine: F8 HP Yamaha Outboard Engine, very easy to fit in the boat.

2 gas springs keep the superior part up, supplying a wide access to the engine, portable tank, battery and the connections.



← Images de synthèse



Have Fun with Yelo Boats!!!



PGM
sportmarine LTD

Lemesos – CYPRUS, Tel: (+357) 25 350 766, Fax: (+357) 25 351 799

E-mail: info@sportmarine.com